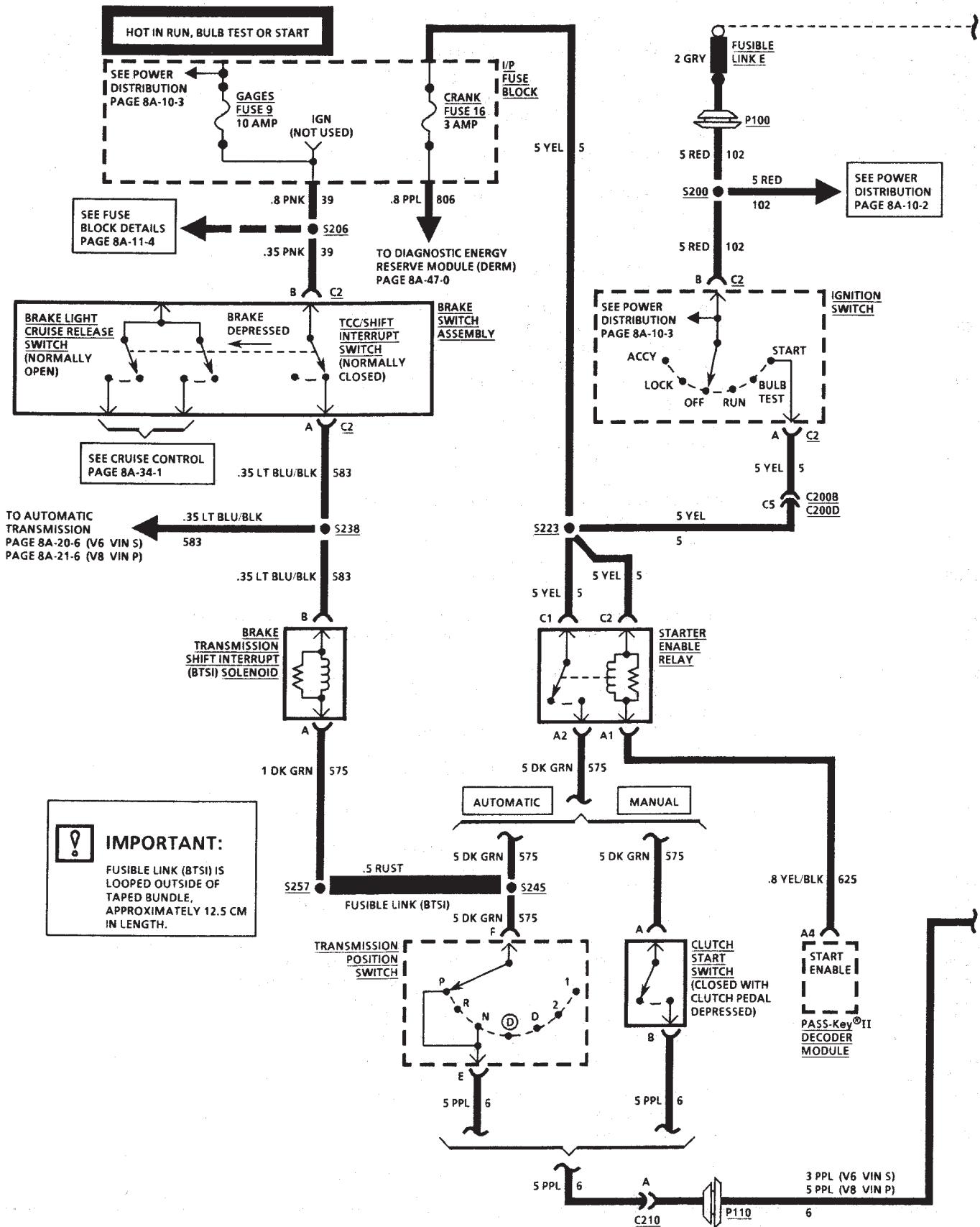
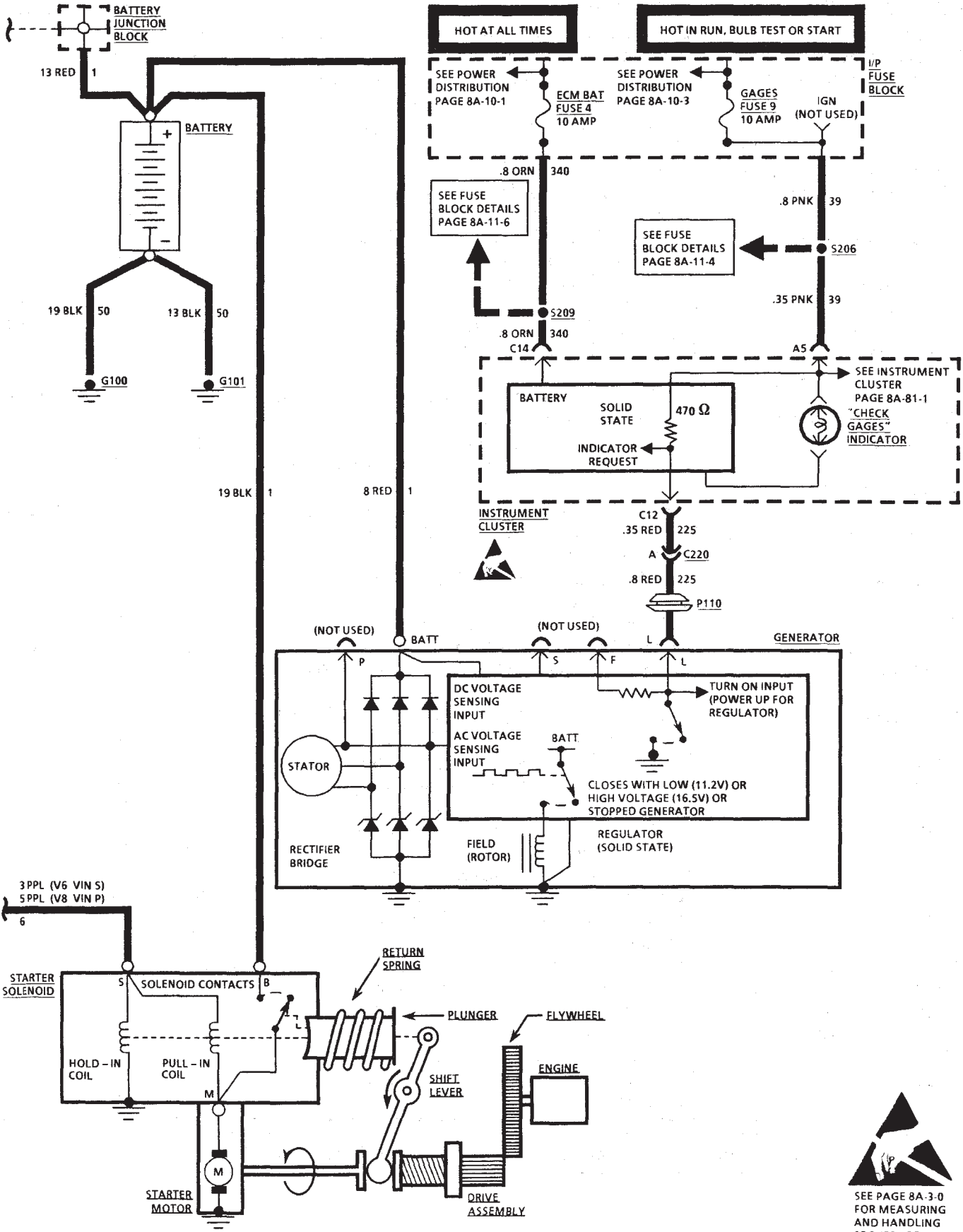


STARTER AND CHARGING





SEE PAGE 8A-3-0 FOR MEASURING AND HANDLING PROCEDURES